

Digital Signage  
Conferencing  
Fairs & Events



### Key Features

- 46" LCD TFT public display
- out-of-home media panel
- 1920 x 1080 resolution
- 4000:1 high contrast
- 700 cd/m<sup>2</sup> high brightness
- 178° (h/v) wide viewing angle
- array of connectors
- stand-alone metal housing
- tempered glass
- auto cooling system
- remote control & maintenance

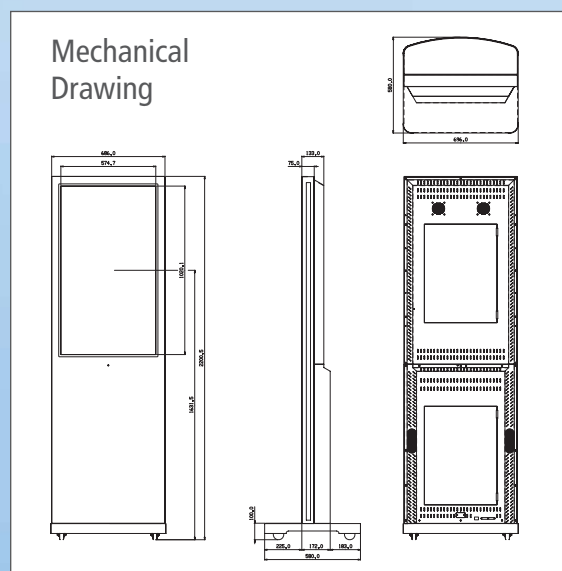
## D467SL – Stand-Alone Type

Since the mid-90s, the name HYUNDAI has been synonymous with the design and production of state-of-the-art display technologies. Advanced devices offering sophisticated design and supreme image quality – with "built-in" future-proofing.

HYUNDAI IT's stand-alone public displays are the best solution for single screen information signage. Combining dynamic screen contents and the static depiction of your corporate identity the stand-alone public displays are bringing the maximum brand communication to the Point of Information. Exhibitions, hotel and offices lobbies, customer waiting areas and retail shops are some examples for the versatile fields of operation.



Display Panel	Panel Technology		LCD   PVA TFT	
	Screen Size (inch   cm)		46"   116,84	
	Active Display Area (mm)		1018.08(H) x 572.67(V)	
	Number of Pixels		1920 x 1080 (WUXGA)	
	Aspect Ratio		16 : 9	
	Display Colors		16.7 Mil.	
	Brightness (cd/m <sup>2</sup> )/(typ)		700	
	Contrast Ratio		4000 : 1	
	Response Time (ms, GTG)		8	
	Viewing Angle (H/V)		178°/178°	
	Life Time		50,000h	
	Housing		black powder coated metal	
	Resolution	Monitor		1920 x 1080
DTV (without tuner)		1080p		
Connectivity & Control	Input	VGA (15pin D-Sub)		1
		HDMI		1
		Composite   Component (BNC)		1   1
		Audio: PC   Component   Composite		1   1   1
		RS232C		1
	Output	VGA (15pin D-Sub)		1
		HDMI		1
		Composite   Component (BNC)		1   1
		RS-232C		1
		Speaker (ready)		1
	Power Requirement	Input Voltage		100 – 240VAC
		Consumption (typ) (W)		260
	Auto Cooling System			Yes
	Auto Power Control (DPMS)			yes
Feature	Tempered Glass		Option	
	Touch Screen		Option (Model: D467SLI)	
Mechanical	Dimension (mm)	Set (W x H x L)		701.8 x 1147.4 x 150
		Stand Included (W x H x D)		701.8 x 1992 x 500
		Stand base (W x H x D)		701.8 x 110 x 500
	Weight (kg)	Set (kg)		110,5
Approvals	EMI/EMC   Safety		FCC, CE   cTUVus, TUV, CB	
Environmental Conditions	Temperature   Humidity		0° – 40°   20% – 80%	
OSD Languages			10	
Accessories			Power cord, Manual, VGA Cable, DVI2HDMI Cable, Remote Control Unit, Audio Cable	
Warranty			standard: 2 years, less than 18 hours usage per day	
EAN Code			880 909 374 655 8	



Technical details are subject to change without further notice.  
Errors excepted. Version: as of April 2010.